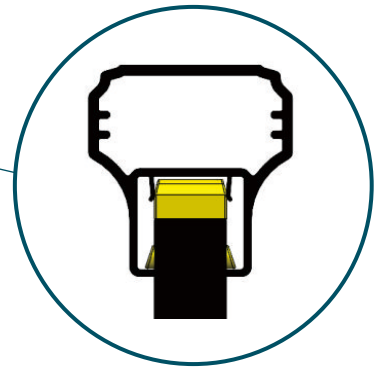
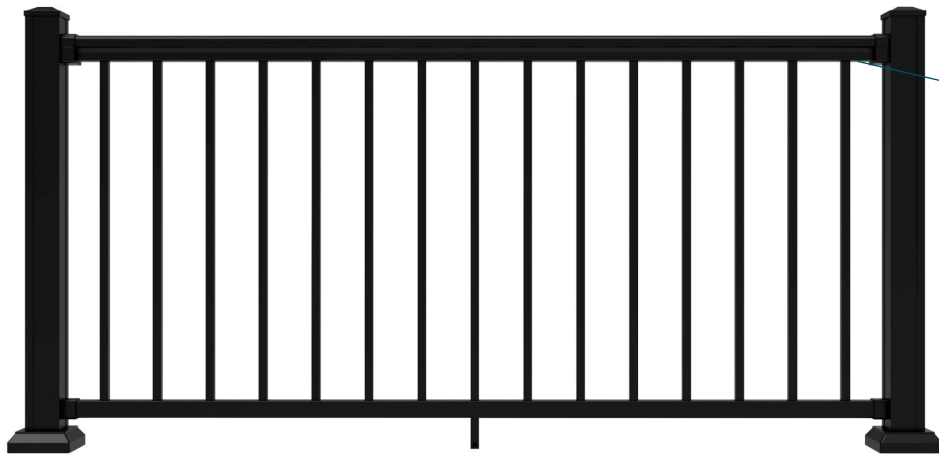


# Aluminum Railing System (AR500)

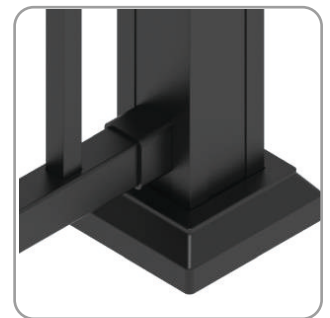


**Q-LOCK design**  
Higher strength

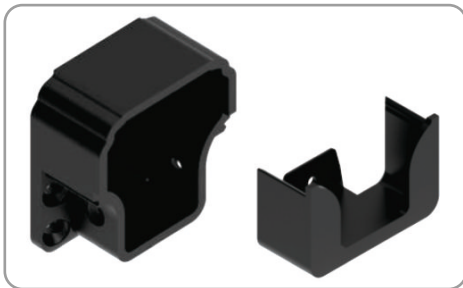
- **Pre-assembled, easy to install**
- **Universal bracket for ground and stairs**
- **Virtually maintenance free**
- **IRC & IBS standard**
- **Available in 6' and 8' length**



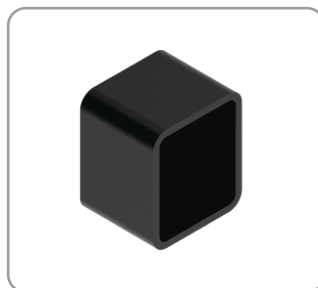
Top Rail



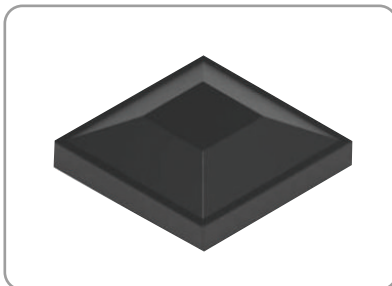
Bottom Rail



Top Rail Bracket & Cover



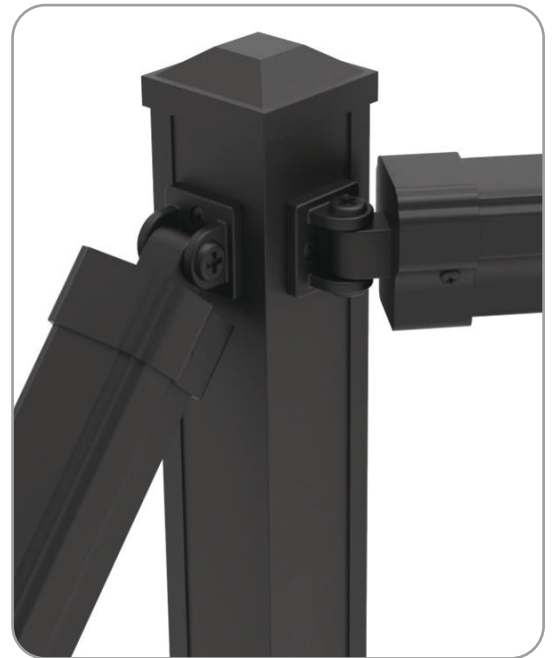
Bottom Rail Bracket



Post Cap



Post Trim



Universal bracket